



Air Coolers





Large Air Cooler

Industrial standard Air Cooler. Effective cooling with just water!

Specifications

- 18000 Cubic meter airflow
- 700 Watts power
- 100 Litre tank
- 3 speeds, Oscillation settings
- Up to 12 hours per tank
- 2 meter cable with UK plug

Medium Air Cooler

Compact and effective cooling for indoor setting. Good for space constrained areas!

Specifications

- 10000 Cubic meter airflow
- 250 Watts power
- 60 Litre tank
- 3 speeds, Oscillation settings
- Up to 8 hours per tank
- 2 meter cable with UK plug



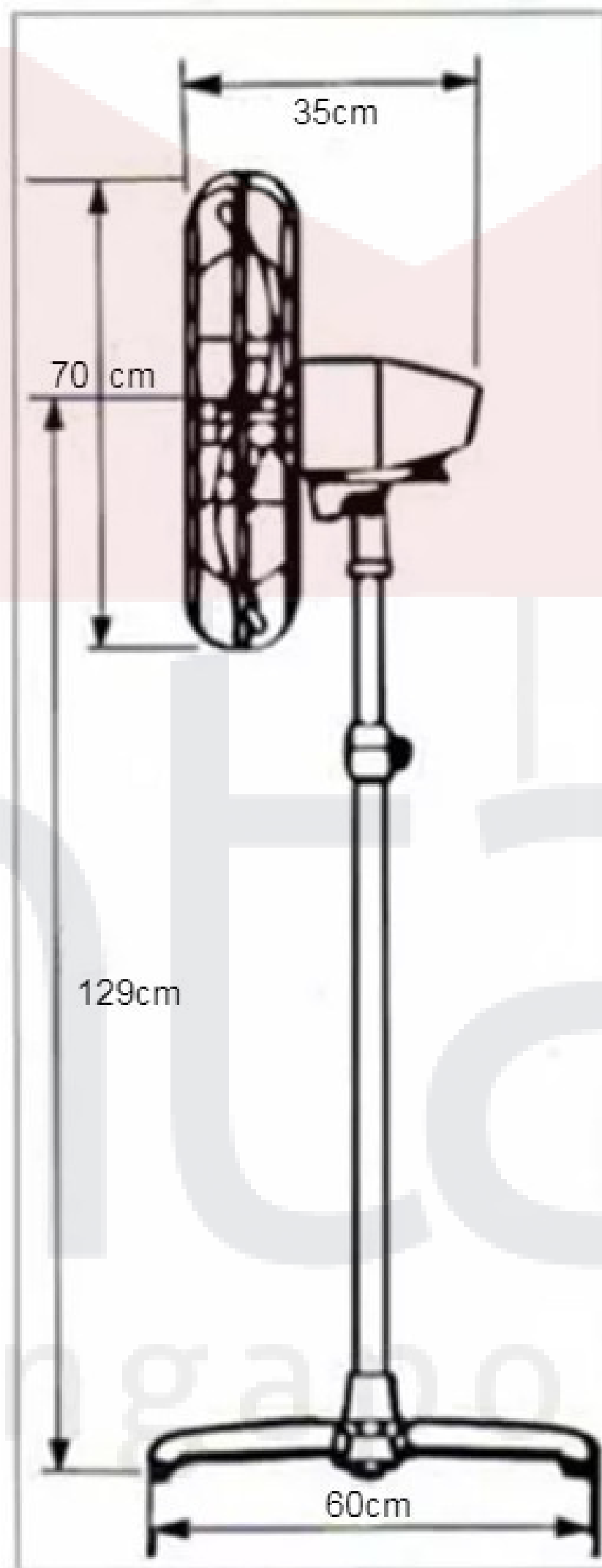


Specifications

- 9000 BTU
- 940 Watts power
- Sound pressure 55 dB
- Wireless Remote
- Light Weight of 32 kg

Portable Air-Con

Light and compact to cool indoor areas up to 400 cubic meter



Specifications

- 1100 RPM - 1400 RPM fan speed
- 180 Watts power
- 3 speed, Oscillation setting
- Adjustable Height 1.2m - 1.6m

25" Industrial Standing Fan